

4K@60Hz
(4:4:4)

VDDC-462DPM



4K@60Hz DisplayPort EDID/HDCP Feeder
with DP & HDMI Outputs

Specifications

Model		VDDC-462DPM
Input		DisplayPort x 1
Output	Main	DisplayPort x 1
	Aux	HDMI 2.0 x 1
EDID/HDCP Engine		<u>Always Active</u>
Resolution (Max.)		3840x2160@60Hz (4:4:4)
LED Indicator (Status)		Multi-Color x 2
Housing		Metal
Power Supply		DC 5V (Mini USB)
Dimensions (H x W x D)		22 x 68 x 80 mm

Features

- 4K@60Hz UHD DisplayPort EDID Feeder Design with HDCP Engine Ensures The Smooth and Optimum Display Effect
- Allow to Restore 2 Customized EDID Information or Copy EDID from The Connecting Display
- Avoid Computer from Deactivating DisplayPort Ports
- Economical, Durable and Dependable
- Support over 100 Popular Resolution
- EDID Ghost (DDC Ghost)
- Allow Continuous EDID Feed to Source Even when Displays are Disconnected

Related Product

Model		VGA	DVI-D (Dual Link)	HDMI	DisplayPort
With Splitter	Ghost with HDCP Engine	N/A	N/A	VDDC-400HDMI (4K@30Hz)	VDDC-400DP (4K@30Hz)
Basic	Ghost	VDDC-100VGA	VDDC-200DVI	VDDC-100HDMI	-
2 in 1	Ghost +Emulator	VDDC-120VGA	VDDC-220DVI	VDDC-120HDMI	-
3 in 1	Ghost +Emulator +Writer	VDDC-130VGA	VDDC-230DVI	VDDC-130HDMI	-

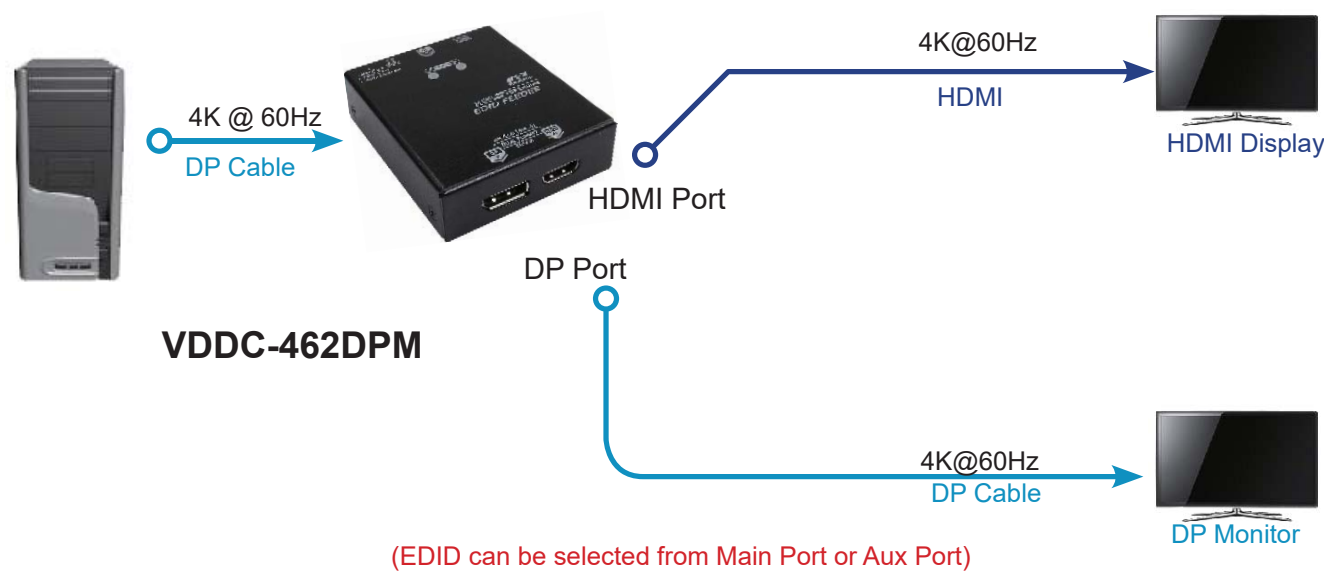
Highlight Features

- Emulator Maximum Supports up to 4K@60Hz UHD, 3840 x 2160 Resolution
- Built in HDCP Engine
- Additional Splitter Function
- Incorporate EDID and HDCP Handling Procedures for Continuous Video Output
- Auto Configuring EDID from The Connecting Display, Easy and Ready to Go
- EDID/HDCP Engine Solves DisplayPort Problem
(Problem : Desktop Windows Relocation After Switching)

Acquisition of EDID

1.	Auto Learn / Copied from Main Port Monitor
2.	Auto Learn / Copied from Aux Port Monitor

Connection Pattern



or

