



tET-DA2

tPET-DA2

Tiny Ethernet Module with Isolated 2-ch AO

Features

- Web Server for Configuration
- Support Modbus TCP/UDP, MQTT, and SNMP V2c Protocols
- I/O Pair Connection (Push and Pull)
- Supports Dual-watchdog
- Supports Firmware Update via Ethernet
- Built-in I/O
 - 2-channel Outputs
 - Voltage Outputs and Current Outputs



Introduction

The tET-DA2 / tPET-DA2 is an analog output module that includes 2 analog output channels and provides a programmable output range on all analog outputs (0 ~ 10 V, 0 ~ 20 mA, 4 ~ 20 mA). It provides 4 kV ESD protection as well as 3000 VDC intra-module isolation.

System Specifications

Model	tET-DA2	tPET-DA2
Software		
Built-in Web Server	Yes	
CPU Module		
CPU	32-bit MCU	
Watchdog Timer	Module, Communication (Programmable)	
Isolation		
2-way Isolation	Ethernet	1500 VDC
	I/O	3000 VDC
EMS Protection		
EFT (IEC 61000-4-4)	±4 kV for Power Line	
ESD (IEC 61000-4-2)	±4 kV Contact for Each Terminal ±8 kV Air for Random Point	
LED Indicators		
Status	Run, Ethernet	Run, Ethernet, PoE
Ethernet		
Ports	1 x RJ-45, 10/100 Base-TX	
PoE	-	Yes
Access Control	Password and IP Filter	
Protocol	Modbus TCP, Modbus UDP, MQTT, SNMP V2c	
Power		
Reverse Polarity Protection	Yes	
Consumption	2.1 W	2.2 W
Powered from PoE	-	IEEE 802.3af, Class 1
Powered from Terminal Block	+12 to +48 VDC	

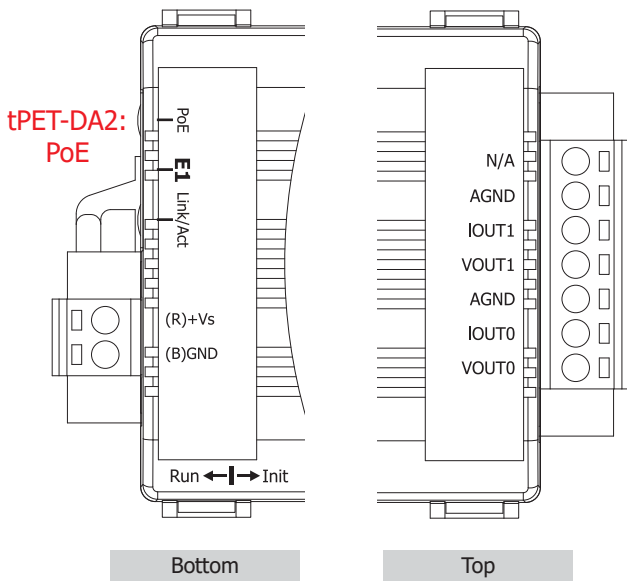
I/O Specifications

Model	tET-DA2	tPET-DA2
Analog Output		
Channels	2	
Range	Voltage	0 ~ 10 V
	Current	0 ~ 20 mA , 4 ~ 20 mA
Resolution	12-bit	
Accuracy	±0.1% of FSR	
Short Circuit Protection	Yes	
DA Output Response Time	1 ms per channel	
Programmable Output Slope	Voltage	0.0625 to 512 V/Second
	Current	0.125 to 1024 mA/Second
Open Wire Detection	For 4 to 20 mA only	
Voltage Output Capability	10 V @ 10 mA	
Current Load Resistance	500 Ω	
Individual Channel Configuration	Yes	
Power-on Value	Programmable	
Safe Value	Programmable	

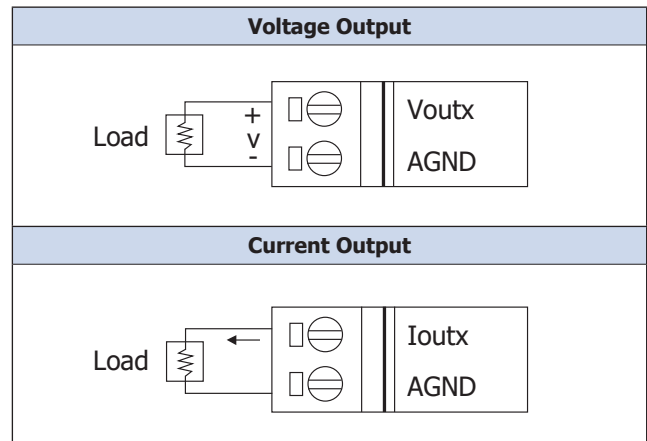
Mechanical

Dimensions (mm)	52 x 96 x 27 (W x L x H)
Installation	DIN-Rail mounting
Environment	
Operating Temperature	-25 ~ +75 °C
Storage Temperature	-30 ~ +80 °C
Humidity	10 ~ 90% RH, Non-condensing

Pin Assignments



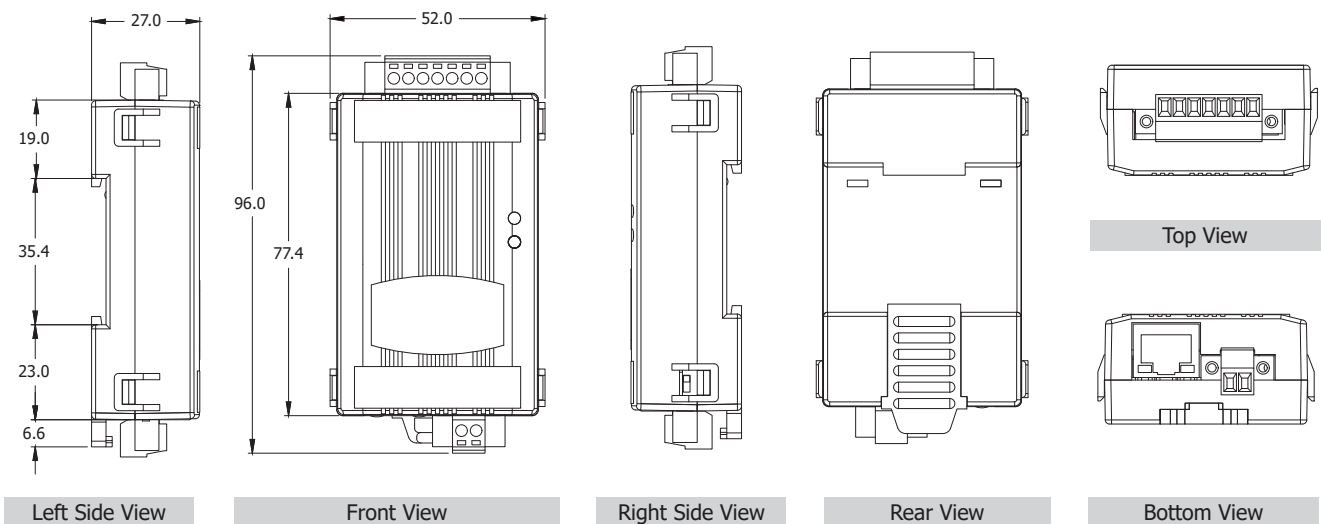
Wire Connections



Applications

- Industrial Automation
- Industrial Machinery
- Building Automation
- Food and Beverage Systems
- Semiconductor fabrication
- Control Systems

Dimensions (Units: mm)



Ordering Information

tET-DA2 CR	Tiny Ethernet Module with Isolated 2-ch AO (RoHS)
tPET-DA2 CR	Tiny PoE Ethernet Module with Isolated 2-ch AO (RoHS)